



enLighten

Fire Stairs/Car Park Luminaire

UP TO

93%

ENERGY SAVINGS

Microwave sensor luminaire designed for Car Parks and Fire Stairs



Optional
IR commissioning tool

Chamaeleon™ Eco

Microwave sensor controlled luminaire

enLighten has broadened the award winning Chamaeleon™ range with the Chamaeleon™ Eco. It is an excellent choice for fire stairs, car parks and corridors, featuring design enhancements that allow for easier installation and light control flexibility.

The Eco complements the Chamaeleon™ range to offer a valuable solution for back of house lighting in residential strata common areas, commercial & industrial applications.



OPTIONS AND BENEFITS

- Australian design
- Smart daylight control & microwave sensor
- **Ease of installation** - Up to 50% faster to install with predrilled holes, screwless gear tray & large terminal block
- **Commissioning tool** - Settings easily adjustable with remote control
- **IP65** - Ingress protection
- **IK10** - Highest level of impact resistance
- **Reduce energy cost** - By adjusting movement and daylight settings to suit the environment
- **Expected life > 54,000hrs** from the selection of high quality LEDs
- **Adjustable full and standby lighting levels** - Can also be set to Permanently On
- **5 year warranty**

APPLICATIONS



CORRIDORS



FIRE STAIRS



PLANT ROOMS



STORE ROOMS



UNDERCOVER CARPARKS

FEATURES



AUSTRALIAN DESIGNED



EMERGENCY



INGRESS PROTECTION



MICROWAVE MOTION SENSOR



REMOTE CONTROL



SAFETY COMPLIANCE



SURFACE MOUNT

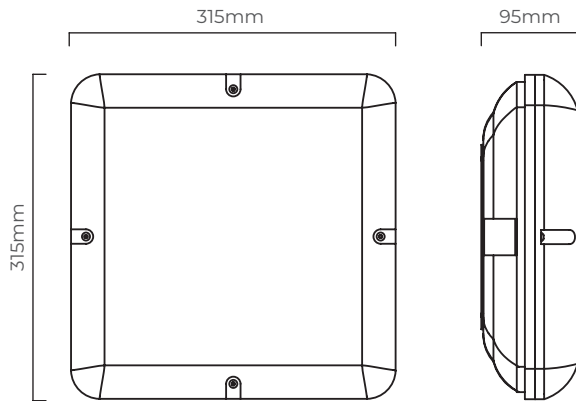


YEAR WARRANTY

PRODUCT RANGE

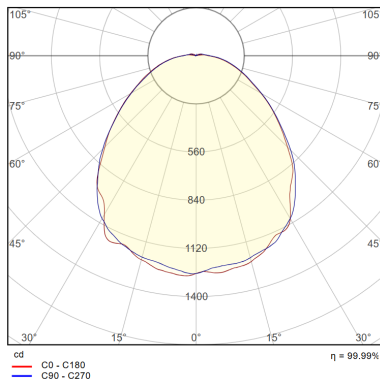
Model #	Description	Lumens (lm) Full light	Rated Power (W)	
			Full light (adjustable)	Standby (adjustable)
EN-SL-S	Ceiling mount standard	3500	29	3
EN-SL-E	Ceiling mount emergency	3500	31	6

DIMENSIONS AND WEIGHT



Weight: 2.5kg (standard)
3kg (emergency)

PHOTOMETRICS



Model: EN-SL-S



TECHNICAL INFORMATION

Optical

Light source	Lumileds LED
Lumen output	3500 lm
CRI	Ra>80
CCT	4000K

Electrical

Power consumption (W)	29W (Standard) 31W (Emergency)
Operating frequency	50/60Hz
Operating voltage range	100- 240 V AC
Power factor	>0.9 240 V AC at full load

Emergency light

Battery type	7.2V NiCD 1800mAh
Discharge time	90 minutes
Emergency classification	D50

Environmental

IP rating	IP65
Impact rating	IK10
Weight	2.5kg (standard) 3kg (emergency)
Ambient temperature range	-10° C to + 40° C
Material Composition (body)	Aluminium
Material Composition (diffuser)	Polycarbonate
Expected Lifespan	>54,000 hours @ L70

Controls

Microwave motion and
daylight sensor - standard
IR remote control - optional

Warranty*

5 years (Battery 2 years)

Data subject to change without notice
* Refer to warranty policy

COMPLIANCE



The Chamaeleon Eco series meets or exceeds all relevant standards and regulatory requirements.

For a full compliance and testing list visit www.enlighten.com.au. IES files, warranty, installation and product guides are also available for download.

Sold nationally through major electrical wholesalers.